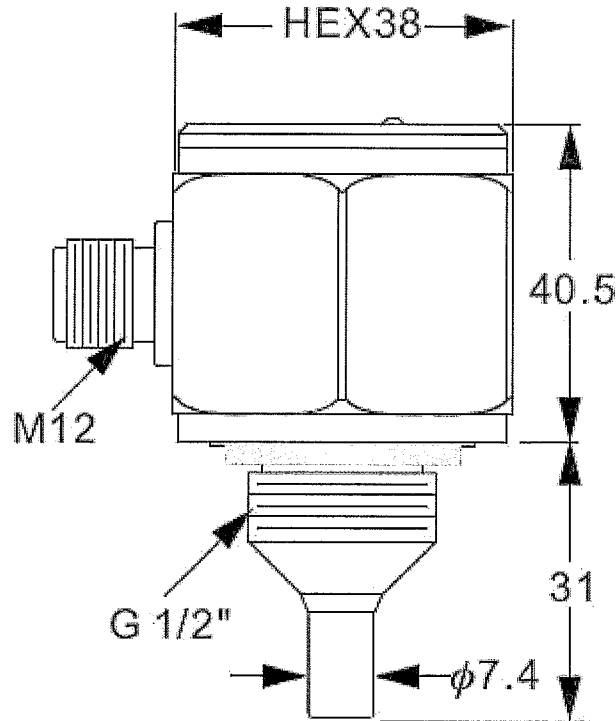


SPX1THERMAL DISPERSION FLOW SWITCH Ver.I

Serial Number : SPX10000-AAAA503MAB0031

Extended model code	Standard[00]
Code for certificate approval	No certification[00]
Appearance	Mini Type (Standard Type: HEX38, Economy Type: 40mm)[A]
international standard	JIS[AA]
Standard sizes	1/2"[A5]
Connection type	Male-PF[03]
Body material	SUS304[MA]
Analog output	PNP[B]
length	



with cable wire length 2000mm

Remark.

Confirm with Mfr. before ordering. Approved by Mfr.

Approved by Cus.

Prt. Date.

2024/02/05

